

# SINGLE DOOR VERTICAL COOLER USER MANUAL



# THIS MANUAL INCLUDES FOLLOWING MODELS

GC88DK	GC180EWOC	GC360D	GC390WOC	GC660WOC	GC110WN
GC100C	GC250C	GC375C	GC390EC	GC670C	GC170WN
GC110WOC	GC250WOC	GC375WOC	GC390EWOC	GC670WOC	GC250WN
GC170C	GC270C	GC375EC	GC395WOC	GC900C	GC270WN
GC170WOC	GC270WOC	GC375EWOC	GC395EWOC	GC900WOC	GC290WN
GC180C	GC290C	GC380C	GC400WOC	GC295C	GC375WN
GC180WOC	GC290WOC	GC380WOC	GC410WOC	GC420C	GC380WN
GC180EC	GC360DSS	GC390C	GC660C	110CS	170CS
180CS	200CS	250CS	270CS	280CS	290CS
375CS	380CS	390CS	110WOCS	170WOCS	180WOCS
200WOCS	230BBS	250WOCS	270WOCS	280WOCS	290WOCS
375WOCS	380WOCS	390WOCS	MC60	GC880TOMAT	GC85WOC

# INDEX

1. Safety Warnings .....	2
2. Procedures To Be Completed Before The Installation And First Operation Of Your Appliance .....	3
3. General View Of Your Appliance .....	5
4. Installation And First Operation Of Your Appliance .....	6
5. Electrical Connection Procedure .....	7
5.1. Operation Of Your Cooler .....	7
5.2. Setting The Interior Temperature Of Your Cooler .....	7
5.3. Putting Food On Your Cooler .....	7
6. Defrost Operation .....	7
7. Products With Digital Thermostat .....	8
8. Turning Off Your Appliance .....	9
9. Cleaning, Maintenance And Transportation Of Your Appliance .....	9
10. Cleaning .....	9
10.1. Maintenance .....	9
10.2. Transportation .....	9
10.3. Things To Do Before Contacting Authorized Service In Case Of A Fault .....	10
11. Limitation Of Liability .....	11
12. Warranty And Authorized Workshop Services .....	11
13. Standards Of Conformity For The Appliance .....	11
14. Rights Of Choice Of The Customer .....	12
15. Data Plate .....	12

Dear Customer,

You have purchased a quality Green Cooler product by preferring the Single Door Vertical Bottle Cooler.

Your device will serve you for long years as long as you display the necessary care and maintenance.



Please read the instructions in this manual carefully to know your device and make use of all the functions of your device.



It includes warnings to prevent the device from becoming unusable, loss of life, property and injuries while using the device.



Refers to warnings and cautions regarding the connection of the device to the electricity line.



Read the user manual

## SAFETY WARNINGS

- Always have the demonstration and installation of your appliance performed by an authorized Green Cooler service.
- Your product shall be void of warranty if you have the demonstration and installation of your appliance performed by any service other than the authorized Green Cooler service and if a malfunction occurs.
- Please read the user manual before installing and operating your appliance. Our company shall not be held responsible for any damage due to improper operation.
- Consider all warnings provided on your appliance and in the user manual, and keep this manual for future reference to some problems that may occur.
- This appliance may be used by children above age of 8 and persons with limited physical, perceptual or mental abilities or persons with a lack of experience and knowledge if they are supervised or given instructions on the operation of the appliance and any relevant risks that may be encountered. Children shall not play with the product. Cleaning and user maintenance of the appliance shall not be performed by unattended children.
- Power cord of your cooler is fitted with a special grounded plug. This plug shall always be used with a special grounded power outlet with a rating of 10 Amperes. If no such outlet is available, have a qualified electrician install it.
- Do not use multi-sockets or an extension cord
- Do not plug in any plugs with damaged, worn or torn cords to the outlet
- Do not pull, bend or damage the power cord
- Do not replace any electrical component inside the Cooler, and contact the Authorized Service when required.
- Do not plug the appliance to the outlet by hand to prevent any shocks.
- Do not allow children to play with the appliance or hold on the appliance and hang themselves. Do not hang on the doors and racks.
- Do not place explosive or flammable materials in your cooler for your safety.

- Do not allow wild animals or pets to get inside the product or play around it. This may damage your product or may cause injuries or death of your animal. Moreover, wild animals or pets may cause fire by damaging the wiring.
- Do not allow children to get into the product or play around it.

## PROCEDURES TO BE COMPLETED BEFORE THE INSTALLATION AND FIRST OPERATION OF YOUR APPLIANCE

- Do not place the your product under direct sunlight or within influence area of a stove, radiator, furnace, oven, infrared heater or air conditioner. Otherwise, the your product may perform poorly, get damaged or become inoperable
- Electrical installation shall conform with the national regulations
- Your electrical installation shall be equipped with residual current relays and fuses to prevent the risk of electrocution and fire.
- In case of usage without grounding, our company shall not be responsible for any faults and damages that might occur.
- Place your product away from moisture, where air circulation is provided.
- Always clean inside of your product prior to first use.
- After placing your product, allow at least two (2) hours without moving it before starting to use.
- If your cooler is installed in extreme cold conditions, waiting period before operation shall be at least four (4).
- Do not unplug your product for saving power if you shall not use your product or keep it empty for a short period. Otherwise, more power shall be used for cooling your product again.
- In the event of a sudden power outage, unplug your product. Plug your product 20 minutes after the interruption has ended to operate your product again. High voltage that occur when the power is restored may cause fire or damage to your product.
- Do not put hot food in your product to cool the food.
- The product you have purchased is intended and manufactured for cooling bottled and/or canned beverages and packaged food and keeping these beverages and food cool only. Do not use for other purposes.
- Your product is designed for indoor use. Do not use your product outdoors.
- Do not put materials that shall not be cooled in your product. Do not use your product for thawing frozen food.
- Installation, placement, maintenance and cleaning of your product shall be performed as described in the manual. Do not act against the manual. Warranty shall be void due to misuse in case of any damage to your product caused by such operation.
- Frost shall be increased for products, of which the doors are kept open or frequently open and closed, and the appliance shall not perform the cooling operation. Thus, open the door of your product when it is required only. Ensure that the door of your product is closed when you do not require.
- Place the cooler on the ground and check if it is level with a spirit level. Adjust using the leg bolts in case of any inclination to any side. Place your cooler on its place where it shall be used after completing the setting procedure.
- Do not change the position of the product when it is loaded or do not carry it by pushing it on its castors. Do not push your cooler over cables or door thresholds to prevent damage to the castors even if the cooler is empty. Never push your cooler if the ground is not level, and if there is an inclination or stairs present in the vicinity.



Your product is set for 220 - 240 Volts and 50 Hz mains power. Use of incompatible voltage may cause your cooler to become inoperable or fire.

**WARNING!** 

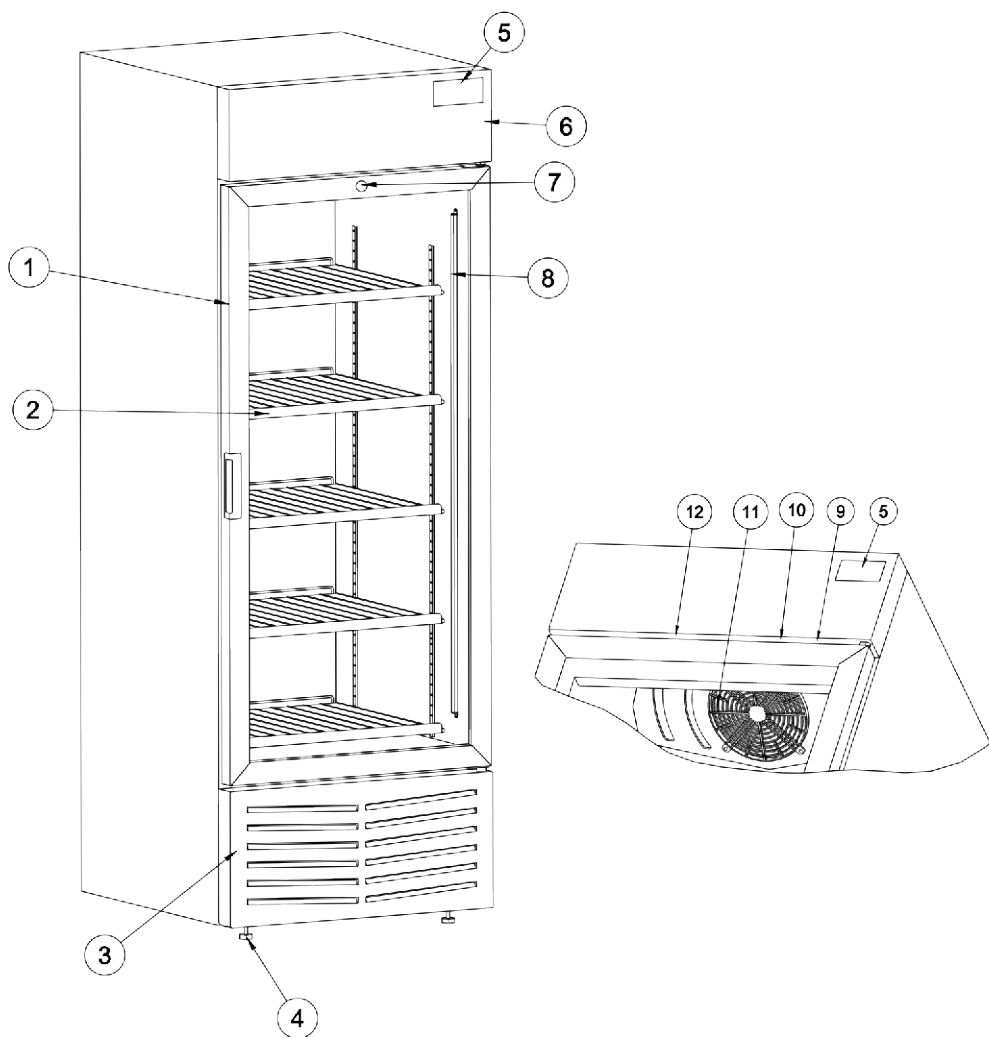
- Be very careful as an impact by a sharp, tipped object or contact of a hot material to the glass part of the product with glass doors may cause the glass to break.
- In order to avoid your appliance from sliding or overturning, place the appliance on a level flat surface.
- Use your product in the operation position described in the user manual.
- Do not expose your product to direct sunlight.
- Handle and store your product in normal operation position only to protect your product against damage. Otherwise, warranty rights shall be void.
- Keep the accessories, nylon bags containing the operating manual and the key of the cooler cabinet provided with the cooler in a place where they cannot be reached by children.
- Keep the roof of your appliance empty.

**WARNING!** 

- If R600a or R290 refrigerant is used in your cooler; (you may see this information on the Rating plate on the cooler.) R600a refrigerant is an environmentally-friendly gas used in effective cooling technology. This gas may catch fire under certain conditions. You shall follow the rules below to ensure normal operating conditions.
- Keep the front of any fans both inside and outside of the cooler to prevent blockage.
- Do not use any mechanical tools (knives, screwdrivers, etc.) to accelerate thawing in case of frost.
- Do not damage the cooling circuit.
- Do not use electrical appliances and tools inside the food storage compartment of the product.
- Installation of the appliance shall be performed by authorized personnel only to reduce the risk of flammability.
- Do not allow anyone other than the authorized service intervene the appliance for maintenance, repair or any other reason.
- Unplug the appliance and switch to defrosting position against possible frost or icing.
- Prefer original components for any parts to be replaced on the product.

## GENERAL VIEW OF YOUR APPLIANCE

- 1-Door
- 2-Wire Rack
- 3-Motor Compartment
- 4-Adjustable Leg
- 5-Digital Thermostat (optional)
- 6-Canopy
- 7-Mechanical lock
- 8-Interior lighting
- 9-Fan Switch
- 10-Lighting Switch
- 11-Fan
- 12-Thermostat setting switch



## INSTALLATION AND FIRST OPERATION OF YOUR APPLIANCE

Take off and remove all package materials and lower wooden pallet of your product before placing it. (It may be required to lift the cooler to remove the base bracket).

Install spare parts provided inside your appliance (Wire racks, Rack bars, etc.) as per the installation instructions. Use only genuine Green Cooler spare parts. Non-genuine spare parts may cause risks for you and may damage your product.

Place your product where you desire. Consider the placing rules specified in the manual during placement.

Level your product laterally and vertically with a spirit level. Perform the levelling procedure with the adjustable legs on the front lower part of your cooler.

For models with castors (optional), castor brakes (optional) shall be locked after placing the products or if no castor brake is available, it shall be ensured that the appliance does not move.

- Do not place your product outdoors so that it shall be exposed to weather conditions. (on a street, lane, etc.)
- Do not place materials such as cardboards, boxes, etc. in front of the lower blinds to ensure proper cooling of your product.
- Do not expose to direct sunlight. Operating period shall be increased if sunlight hits the glass of your cooler. And this means that the power consumption shall be increased.
- Place your cooler by pushing it rearward.
- Make sure that there is a clearance of 150 mm (15 cm) between the wall and the rear side of your cooler when you are bringing the product close to the wall. Air circulation should be ensured at the rear area of the coolers for efficient use.
- Place your product so that it is inclined in any way and that it is standing on its legs or castors and then operate it.
- Make sure that you do not close the fan intake outlet while placing products inside the cooler.
- Your cooler provides best cooling performance in the conditions specified below as per the climate class. Thus, ensure that the environment where your cooler shall be used conforms with this temperature ranges.

### ***For Commercial Products:***

<b><i>Climate Class</i></b>	<b><i>Temperature Range</i></b>	<b><i>Humidity</i></b>
Class 3	16 °C to 25 °C	60% Rh
Class 4	16 °C to 30 °C	65% Rh
Class 5	16 °C to 40 °C	70% Rh



## ELECTRICAL CONNECTION PROCEDURE



### WARNING!

Do not plug your appliance to a multi-socket or do not use an extension cord  
Your product is not equipped with an on/off switch.

Do not allow the cables of your product connected to the mains to contact hot surfaces.

Outlet that shall be used shall always be grounded. It the outlet that shall be used shall also be protected with a proper fuse with a rating of 10-16 A minimum. Always get support from our authorized service or a qualified electrician for the fuse that shall be installed on the electrical installation where the outlet is connected.

The voltage and frequency of mains power should be the same as the values specified on the label on the inner surface of your appliance. If mains power is far below or above the specified value, have the desired voltage by using a voltage regulator.

You can get help from a qualified electrician.

Do not put the cable of your product on passage routes. These may cause injury to you and damage to your cooler.

## OPERATION OF YOUR COOLER

- Clean the inside of your product and all of its accessories before operating your product for the first time.
- If your product has been shaken a lot during transport and placement, allow at least two (2) hours before starting to use your cooler. Thus, compressor oil shall be returned if it has entered the system. You may damage the compressor if you operate the cooler without considering this.
- Plug your product to an outlet that is installed as per the legislation and that supplies a 220 - 240V / 50 Hz alternative current only.
- You shall hear a slight compressor noise when your product is operated.
- Fan inside your product shall stop when you open the door of your cooler.

## SETTING THE INTERIOR TEMPERATURE OF YOUR COOLER

- Temperature settings of your appliance is performed in our factory for operation in suitable conditions.
- Temperature for the preservation of the food is adjusted with the thermostat by observing it from the thermometer on your cooler (optional). However, it is best to keep this at factory setting.
- Internal temperature of your cooler may be adjusted by rotating the thermostat switch. Position "6" on the thermostat

shall decrease the internal temperature to the minimum level. Internal temperature of your product may be set between 0 and +10 C.

## PUTTING FOOD ON YOUR COOLER

You may load the food in your cooler when it has reached the desired temperature as empty. (If your product model is equipped with a thermometer, you may control the internal temperature here.)

## DEFROST OPERATION

Your product is not equipped with a special defrost function. Your appliance shall thaw the icing on it automatically during thermostatic operation.

While your appliance prevent frosts by itself, high temperatures and humidity and frequent operation of your appliance may increase the rate of frost. The more the frost, the more the operation time. And this causes an increase in the power consumption. Turn off your appliance and make sure that the frost is removed in such a case.



### REMEMBER!

An evaporator without frost shall always operate with high efficiency. Water dripping from the evaporator flows to the drip pan in the compressor area. While this water is evaporated by the hot water pipe, drip pan shall be inspected and cleaned at least once a month. Your appliance shall thaw the icing on it automatically during thermostatic operation.

## PRODUCTS WITH DIGITAL THERMOSTAT

Control unit flashes for a few seconds to check if all connections are made correctly when you plug your appliance on models with digital thermostat, this is a normal condition. Then, the temperature value at that time shall be displayed on the screen.



Set temperature is adjusted to keep your beverages in the ideal temperature. Please do not attempt to change the settings.



Eco box



Enerji saving Tip-1



Enerji saving Tip-2



**Bottom Lamp:** Lamp status changes when it is hold pressed for 0.5 seconds. If the lamp is on, "OFF" is displayed on the screen as the lamp shall be turned off; and if the lamp is off, "ON" is displayed on the screen as the lamp shall be turned on.



**Day/Night Mode:** Your thermostat switches its mode automatically. Your cooler shall switch to night mode and turns off its lamps if its door is not opened for a period of 4 hours. Lamps may be turned on or off by pressing the down/lamp button. Your cooler shall switch to day mode when its door is opened while it is in night mode. Your cooler consumes less energy in night mode. If you want to operate your cooler in night mode, you may switch the mode by pressing this button. Your cooler shall switch modes 60 seconds after you press the button.



**Up Eco Mode:** Eco mode shall be switched when you press eco mode button for 3 seconds. If you see "ECO" on the screen when you press eco mode button, this means that the appliance shall switch to eco mode. If your cooler is already in eco mode, it shall display "nor" on the display when you press eco mode button. "nor" displayed on the screen indicates that the eco mode shall switch to normal mode. In other words, you see the mode to be switched on the screen. Your thermostat consumes less power when it is in "ECO" mode.

## **TURNING OFF YOUR APPLIANCE**

- Put the food inside the appliance to a suitable place before turning off your appliance.
- Unplug the power cord from the mains socket.

## **PERFORM THE FOLLOWING IF YOUR PRODUCT SHALL NOT BE USED FOR A LONG PERIOD**

- Clean your product. Otherwise, moisture remaining on the walls of the appliance may cause darkening on the inner surface.

## **IF YOUR PRODUCT SHALL BE STORED IN A CLOSED ENVIRONMENT AFTER TURNING IT OFF**

- Do not cover your product with plastic material. A plastic material may cause your appliance release odour and perspiration as it does not permeate air through it. Perspiration may cause rusting.
- If you do not keep your appliance with its door open, it may release odour.

Do not unplug your product for saving power if you shall go to a short vacation or you shall not use your cooler for a short period.

## **CLEANING, MAINTENANCE AND TRANSPORTATION OF YOUR APPLIANCE**

### **CLEANING**

Unplug your cooler from the outlet before cleaning.

Before performing internal cleaning, wait until the temperature of the inner parts of the appliance increases up to the ambient temperature.

Wear protective gloves during cleaning and maintenance. This will protect you against injuries.

Remove accessory parts from the appliance. Perform cleaning by using a soft cotton cloth and warm water.

Dry it by using a dry cotton cloth. If it is not dried, it may turn black in time.

Ensure that the inner surface is not wet or moist after cleaning.

You can reload your food two (2) hours after operating based on the type of operating specified within this manual.

External cleaning shall be performed with a cotton cloth and warm water.

Prevent cleaning water from entering the front dashboard and illumination section during cleaning.

Clean the door seal using only clean soapy water.

### **MAINTENANCE**

The appliance does not require periodic maintenance.

### **TRANSPORTATION**

Carry your product as per the instructions specified on the package. Do not carry your appliance as horizontal, vertical or in an inclined position or with its door open.

Protect your appliance against impacts while carrying.

Do not carry your appliance as plugged or while it is loaded.

To prevent any accident or damage to your product by falling or sliding, secure your product to the transport vehicle during transportation.

## THINGS TO DO BEFORE CONTACTING AUTHORIZED SERVICE IN CASE OF A FAULT

PROBLEM	CAUSE	SOLUTION
Your appliance does not operate, No noise or just the fan noise.	It may be caused by the thermostat. It may be unplugged Fuse may be blown or faulty. Condenser fins may be dirty or clogged.	It shall operate again when it reaches the proper temperature. Plug it correctly. Contact a qualified electrician, clean the condenser fins.
Internal temperature of your appliance is high	Ambient temperature is very high or thermostat setting is incorrect. Rear part is very close to the wall, ventilation blind is blocked or its front is covered. Condenser fins are very dirty.	Take your appliance to a place where ambient temperature is lower. Bring the clearance between the appliance and the wall to the required distance. Clean the condenser fins.
Internal temperature of your appliance is very low	Thermostat setting is incorrect	Reset the thermostat.
Lamps of your appliance does not illuminate or only one lamp illuminates.	Lamp or adaptor is faulty	Contact the authorized service.
Excessive perspiration inside the appliance and on the window	Drainage pan exit hole may be clogged for internal perspiration. Humidity level of external environment is higher than 65% for perspiration on the window	Clean the water drainage hole. Take your appliance to a place where humidity is lower.
If odour occurs in your appliance	Drainage pan may be dirty; Interior of the cooler is not clean enough.	Clean your appliance a described in the user manual.

## LIMITATION OF LIABILITY

All technical information, instructions of use, information on the operation and maintenance of the device provided in this manual includes the latest information regarding your product. Manufacturing company does not assume any responsibility for damages and injuries that might be caused due to not observing the instructions in this user manual, using the device outside its intended use, unauthorized repairs, unauthorized modifications on the device and using spare parts not approved by the manufacturer.

## WARRANTY AND AUTHORIZED WORKSHOP SERVICES

Service life of your cooler is 10 years. (The spare parts necessary for the product to function will be available for this period.)

It is warranted against material defects and workmanship and manufacturing errors for 2 years provided that it is operated in the way specified in the user manual and never intervened for maintenance, repair or for other purposes by people other than the services authorized by ÖZTAŞ Tic. San. A. Ş.

## STANDARDS OF CONFORMITY FOR THE APPLIANCE

Coolers specified in the user manual are manufactured and tested as per the  
TS EN ISO 23953-1  
TS EN ISO 23953-2  
TS EN 60335-2-89  
IEC 60335-2-89 Standards, and  
2006/95/EC  
2004/108/EC  
Directives.

Complies with EEE Regulation. (Regulation on the Restriction of the Use of Certain Hazardous Substances in Electrical and Electronic Equipment)

### Dear Customer,

This warranty provided by ÖZTAŞ A.Ş. does not cover the repair of malfunctions caused by failure to use your cooler for its normal and intended use, and the situations below are also excluded in the warranty:

- Damages and malfunctions due to incorrect use,
- Damages and malfunctions occurring during the loading, unloading and handling after the product is delivered to the customer,
- Damages and faults that occur because of undervoltage or overvoltage, faulty electrical installation, using the appliance with a voltage other than the voltage specified in its data plate,
- Damages and faults that occur because of fire or lightning strike,
- The malfunctions occurring due to the product being used against the conditions specified in the user manual.

Paid repair service is required for failures listed above.

Installation and transportation of the product is not included in the price.

The responsibility to complete the warranty certificate and to submit it to the consumer is placed on the sellers, dealers, agencies or agents from whom the consumer purchased the good.

Warranty is applicable for the period specified in the warranty certificate and for the faults that occur on the product; any other rights may not be claimed based on the warranty certificate.

This warranty is void if the warranty certificate is damaged, the original serial number on the product is removed or changed, damaged.

## RIGHTS OF CHOICE OF THE CUSTOMER

Consumer may exercise any of his/her optional rights below within two years of expiry period starting with the date of delivery of the good to the consumer if the good is found to be defective as per the provisions of Law on the Protection of Consumers no. 6502, even if the defect is found later;

- 1) To terminate the contract by stating that he is ready to return the sold good,
- 2) To request a discount on the sale price proportional to the defect and keep the defective good, against the Seller;
- 3) To request the sold good to be repaired at the seller's expense by bringing all repair costs to the seller if such costs are not excessive,
- 4) If possible, to request the purchased good to be exchanged for a non-defective good, against the Seller, manufacturer or importer.


Where the request for free repair or exchanging the good with a non-defective one constitutes unbalanced difficulties for the seller, the consumer may use his right to terminate the contract or demand a discount on the sale price proportional to the extent of the defect.

Consumer may apply to Consumer Courts and Arbitration Committees for their concerns and objections.

## DATA PLATE

Since the technical data of the product differ in every case, it is indicated on the Data Plate on the cabinet. The Data Plate is located on the inside of your wardrobe. The following is an image of the Data Plate.

DATA PLATE	
MODEL	
Type	
Climate Class	
Power /Current W	
Voltage / Frequency V/Hz.	
Lamp power W	
Refrigerant	
External Dimensions of the Product (w*d*h)(mm)	



The graphic on the right side of the table contains a checkmark, the text 'RoHS', a crossed-out trash can icon, and the 'CE' mark.



Please do not remove the type label inside the refrigerator. It contains important informations for customer service.

**Adres**

ÖZTAŞ GLOBAL SOĞUTMA TEKNOLOJİLERİ VE METAL  
SANAYİ TİCARET ANONİM ŞİRKETİ

M.O.S.B. 4. Kısım Ahmet Nazif Zorlu Bulvarı No:32

Yunusemre / MANİSA

**Telefon**

+90 236 213 12 12

**Faks**

+90 236 213 12 08

**Web**

[www.oztasdemir.com.tr](http://www.oztasdemir.com.tr)

