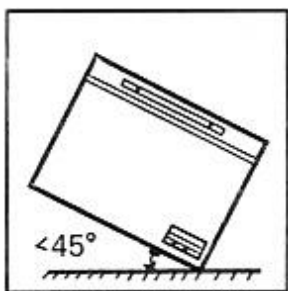


PLEASE READ THE OPERATION MANUAL BEFORE USING

INSTRUCTION BOOK

FOR CHEST SHOWCASE

TRANSPORTATION AND INSTALLATION:



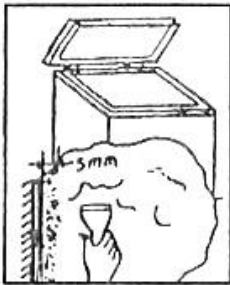
1. When you transport the freezer, the angle between the compartment body and the ground should be no more than 45° , and you should never place the freezer up-side down.
2. Do not use any of the external part as loading points, for example, the condenser on the back, the door or the hinge.
3. When the freezer is installed or used, all the package (including board and foam plastic) should be got rid of.
4. Keeping the freezer stable to avoid vibration and noise.
5. The freezer should be installed in the place with good ventilation, a space of at least 10cm should be allowed between the surrounding wall and the cabinet wall for air condition.
6. It should be placed far from heating source and not under direct sunshine to avoid decrease of the efficiency of refrigeration.
7. Install the freezer in a dry place so as to prevent rust on the compartment body, which may affect the electric insulation.

CAUTIONS:

1. The freezer must be connected with earth correctly, never with the heating pipe and coal gas pipe.
2. In case of any damage on the electric wire and plug, please contact the after service and never do it yourself. When plug out, please take the plug, not the wires.
3. If the voltage is unstable, please choose the suitable automatic voltage regulator.
4. Connection the power to check the freezer before using, the freezer can be used until the temperature decreases obviously after 30 minutes.
5. You should adjust the temperature control according to the requested temperature and quantity of the stored food and the environmental temperature.
6. Before putting the stuff into the freezer please turn on the “Fast Freeze” switch (if without this switch, please adjust the temperature control to the lowest point) and let it work till the temperature of inner cabinet decreases to -18°C and then putting the stuff in, after 12 hours turn off the “Fast Freeze” and adjust the temperature control to the normal point.
7. Never put hot food in the freezer directly only after it has been cooled naturally outside.

- 8.The stuff should be put into the freezer partially, each lot will not be more than the figure which is equal to the capacity (L) divide by 20.
- 9.Not full the freezer and make it crowded, big meat should be divided into several small parts. There should be reasonable space between the foods for better freezing.
- 10.If power cut off is needed, you should wait for at least 5 minutes before turn on again to avoid damage to the compressor.
- 11.The stuff stored should be packed with plastic bag well to avoid smell-mixed and moisture-lost, and reduce the frost at the same time.
- 12.Never store any flammable, explosive and corrosive liquid or gas in the freezer and keep it away from them.
- 13.Beer, beverage, fresh flower, medicine and injection can not be put into the freezer.
- 14.Please make the temperature control to the lowest point if you want to store ice cream or other uneasy-frozen food.

DEFROST:



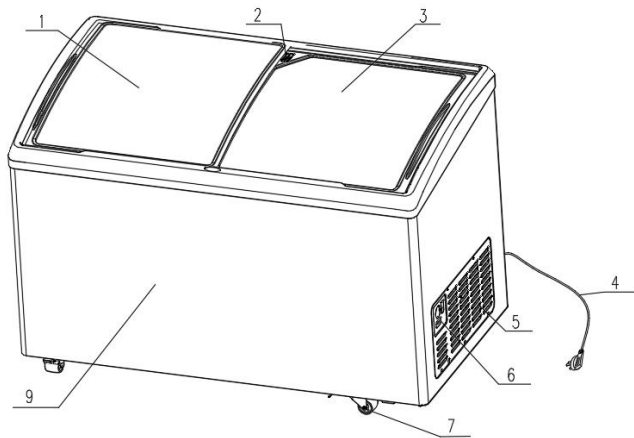
Defrost when the frost thickness on the wall of the cabinet reaches 5mm to optimize the freezing capacity.

- 1.Turn the temperature control to the lowest point for 5-6 hours before defrosting.
- 2.Cut off the power and take out the food, use the defrost removal, do not apply sharp tools.
- 3.After defrosting, clean the wall with dry cloth, and then power on.

THE FOLLOWING PHENOMENA ARE NORMAL:

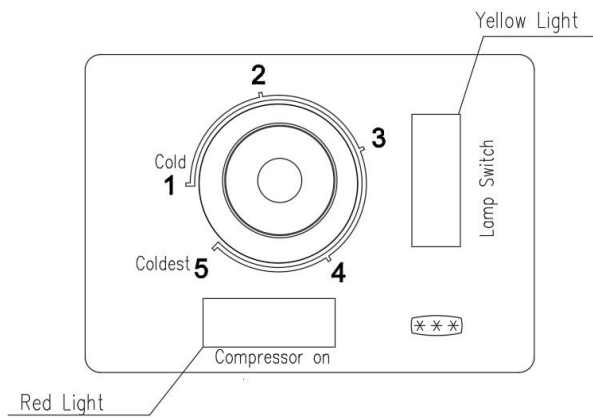
- 1.There will be sound of flowing water when the refrigerant is running.
- 2.The frozen food does not melt even if a long time power off.
- 3.When the environment humidity is too high, there will be dew condensed on the surface of the freezer.
- 4.When the machine is running, the condenser and compressor will be hot.

**THE FOLLOWS ONLY FOR CHEST SHOWCASE OF
SD-152/180/280/282/330/338/516/576/520**



- 1.UP glass door
- 2.Lock
- 3.Lower glass door
- 4.Power wires
- 5.Compressor room cover
- 6.Control panel
- 7.Foot wheel
- 8.Case

THE FUNCTION OF CONTROL PANEL:



- 1.The figure on the temperature control 1~5 only indicates the temperature level from high to low, not means the specific temperature, turn the knob clockwise, the temperature inside will go down, turn the knob to the other direction, the temperature will go up.
- 2.The Red light is working light, the light-on means the compressor is working.
- 3. The yellow switch controls the on/off of the inner LED light.

TECHNICAL DATA:

MODEL	ANTI-ELECTRICITY	NET VOLUME (L)	INPUT POWER (W)	ENERGY CONSUMPTION (kW·h/24h)	NET WEIGHT (kg)	OVERALL DIMENSION (mm)
SD-152 SD-152C	I	104	190	1.45	46	584*694*848
SD-180 SD-180C	I	126	190	1.65	43	756*656*766
SD-280 SD-280C	I	185	253	2.05	51	986*656*766
SD-282 SD-282C	I	205	253	2.10	56	986*656*818

SD-330 SD-330C	I	231	253	2.45	63	1224*654*750
SD-338 SD-338C	I	267	253	2.55	73	1224*654*815
SD-516 SD-516C	I	357	330	2.90	77	1510*695*780
SD-576 SD-576C	I	407	380	3.20	81	1685*695*780
SD-520 SD-520C	I	342	330	2.90	85	1665*695*766

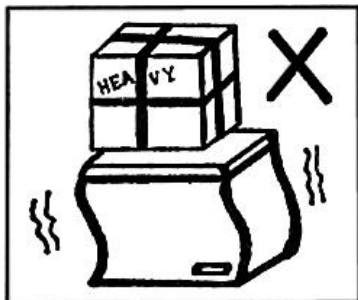
TROUBLE SHOOTING:

TROUBLES	REASON	SOLUTION
Unfreezing	✂Temperature control is on the highest point	Adjust the temperature
	✂Plug and outlet not connected well	Make them connect well
	✂Fuse broken off	Change the fuse
Compressor can not stop working	✂Yellow light on (if have)	Turn off the 'Fast Freeze' switch
	✂Temperature control is on the lowest point	Adjust temperature control
	✂Too much stuff stored in one time	Reduce the quantity
	✂Thick frost	Defrost
	✂Too much times of door-opening	Reduce the times of door-opening
	✂Too near the wall	Far from the wall
Big noise	✂Near the hot source or sun	Change the place
	✂Refrigerating tubes connected	Separate them
	✂Ground is not flat	Change the place

REMARK: *If you can not solve the troubles according to the above-mentioned ways, please contact the after service, do not handle it yourself.*

MAINTENANCE AND CLEANNESS:

1. Do not open the door frequently and too long to save energy.
2. Never leave heavy or hot stuff on the top of the freezer to avoid deforming.
3. Cut off the power before cleaning.



4. To clean the freezer, please use soft cloth dampened in some moderate detergent and hot water.
5. Use warm water to clean oil or fruit juice stain on the gasket in order to keep its elasticity. Apply some talcum powder to it to prolong its service life.
6. The freezer should not be left unused for a long time, to stop using the freezer, disconnect the main power first, then clean the inside and leave the door open for 2~3 days to dry it.

ATTENTION

✧ Young children or infirm person without supervision does not intent appliance for use.

✧ Young children should be supervised to ensure that they don't play with the appliance.

We have a policy of continuous improvement on our products and reserve the right to change materials and specifications without notice. To confirm the specific parameters, please according to the rated label on the product.